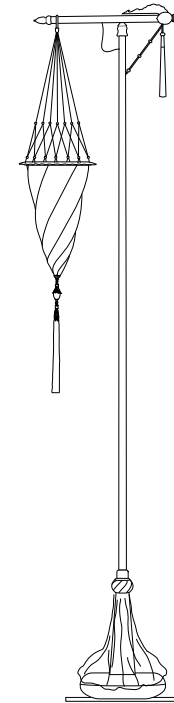

◆ ATELIER FORTVNY VENEZIA ◆

produced & distributed by Fortuny S.r.l. San Marco, 2425 - 30124 Venezia - Italy p+39 041 5236953 . info@fortuny.it
www.fortuny.it



CESENDELLO / art. G 174 ST / glass

assembly instructions / floor

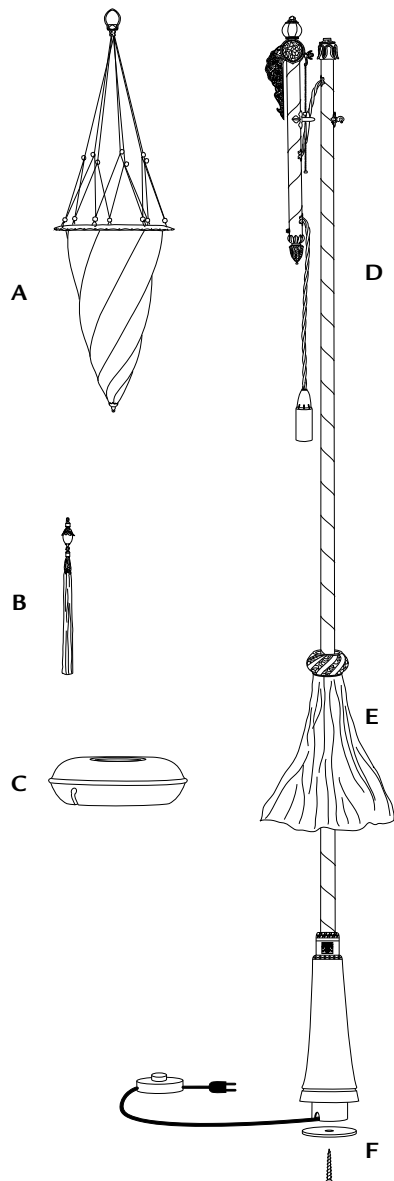
LED | 1 x MAX 5W | E12 | 110-120V | 50-60 Hz



ATTENTION: do not use abrasive products to clean this lamp but only a damp cloth.

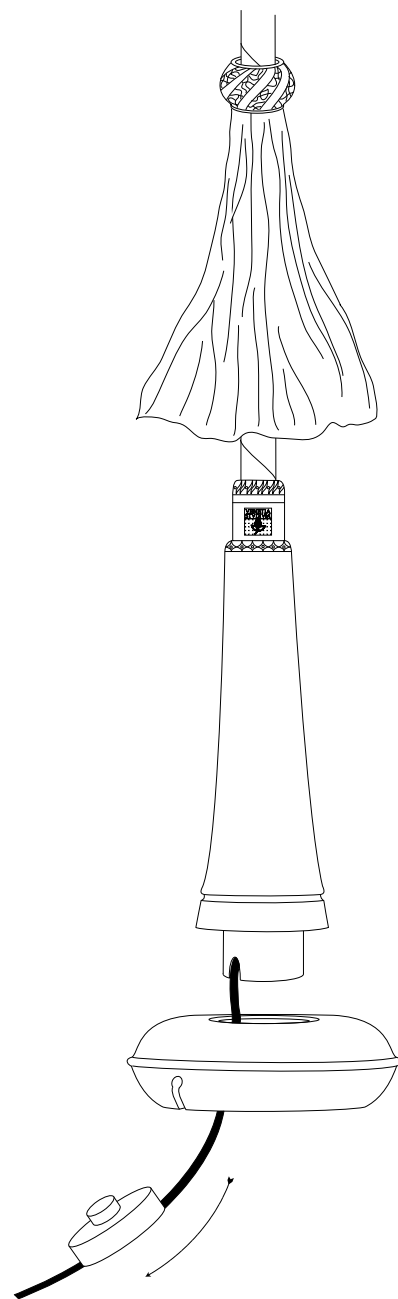
Our creations may show slight imperfections due to the special handwork required on each piece. Variations are one of the features which make each of our products an original and unique item.

WARNING: the safety is guaranteed only with appropriate use of these instructions, which must be kept for future reference. We recommend the installation by qualified personnel.

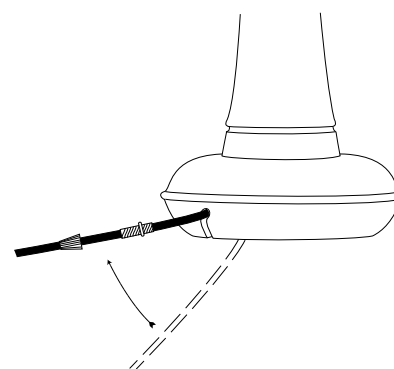


Elements of the FORTVNY floor lamp:

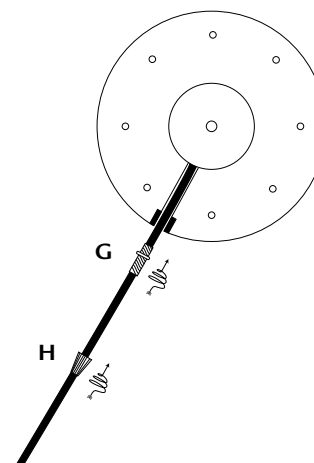
- A CESENDELLO SHADE
- B TASSEL
- C CAST IRON BASE
- D STAND
- E BASE COVER
- F SCREW AND METAL DISC



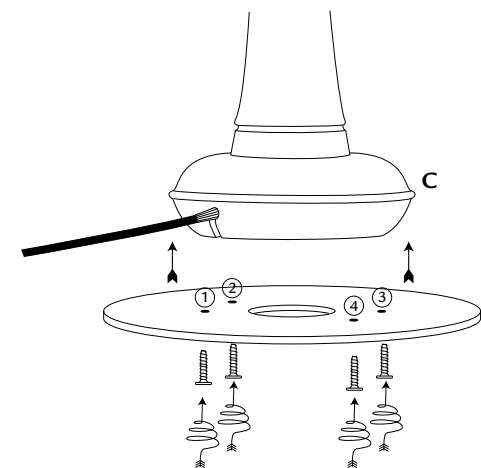
1. Pass the electrical wire through the cast iron base.



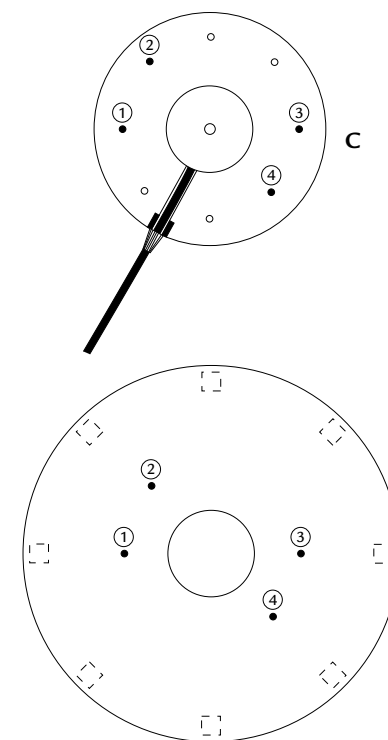
2. Insert the wooden cone into the base.

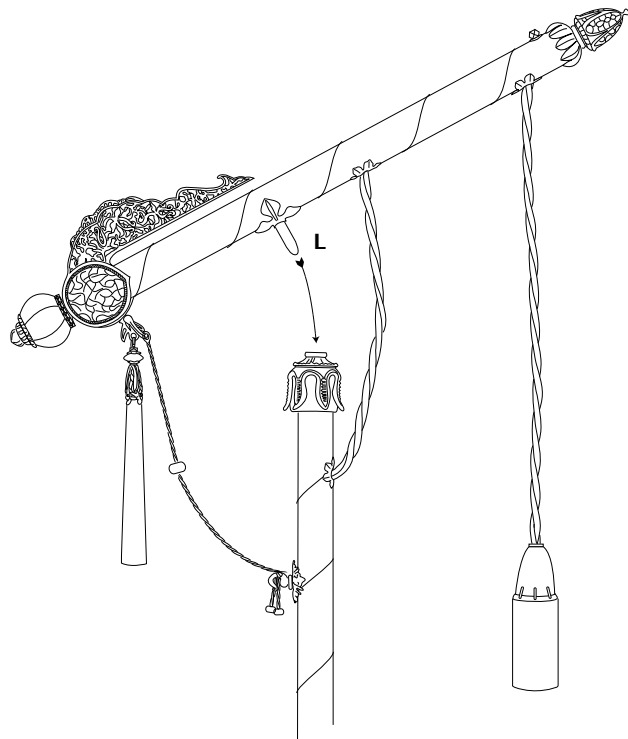


3. Insert the wire within the groove and fix it to the base with elements **G** and **H**.

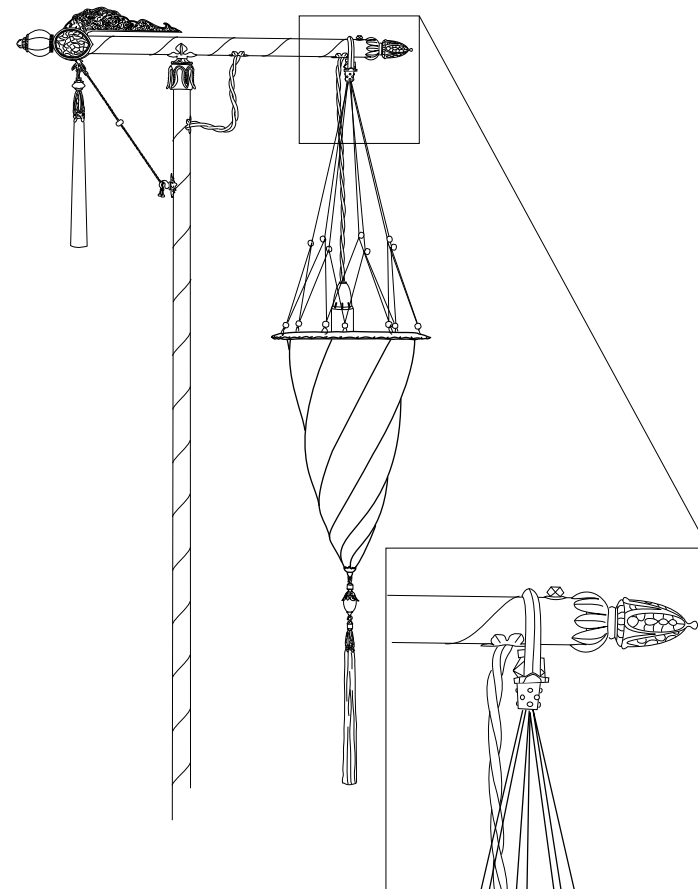


4. Fix the metal disk **I** to the base **C** with the 4 screws.





5. Place the rod in horizontal position inserting the peg **L** into the stand.



6. Hang the shade to the rod and place the bulb holder among the cords.

ATTENTION: do not use abrasive products to clean this lamp but only a damp cloth.